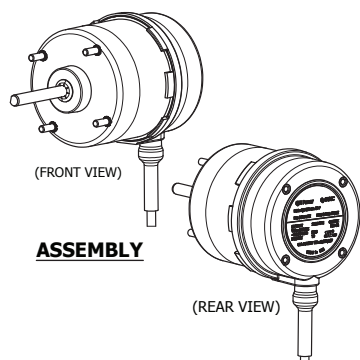
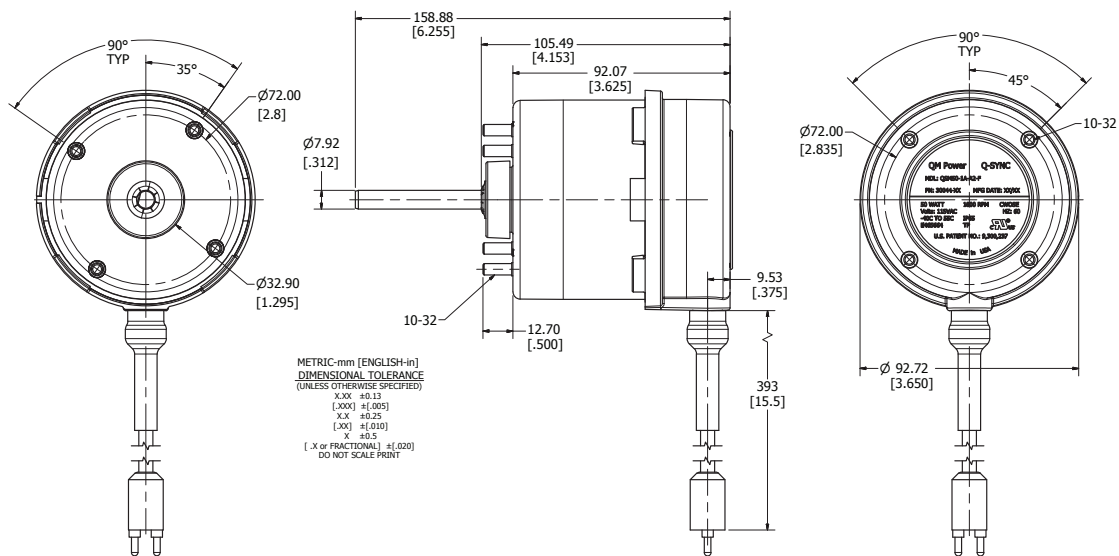


THE MOST EFFICIENT COMMERCIAL REFRIGERATION MOTOR IN HISTORY

THE NEXT BIG LEAP IN EFFICIENCY IS HERE

The next generation of motors has arrived. Designed to be the highest efficiency motor ever created, Q-Sync motor technology is the first giant leap forward in motor design in more than 50 years. Its unique design uses up to 50% less energy than EC motors, and up to 80% less than shaded-pole, while providing consistent power output and airflow in any application. By using grid supplied AC current without the need to rectify to DC, Q-Sync offers consistent operation with higher power factors than alternative offerings. It is designed for superior reliability and service life with a universal mount that adapts to most applications without the need to retrofit existing configurations.



PRODUCT SPECIFICATIONS: Q-SYNC SYNCHRONOUS MOTOR WITH ELECTRONIC START	
APPROVALS	UL APPROVED (UL #E465664)
RECOMMENDED USE	38-50 WATT APPLICATIONS
OUTPUT RATING	50W OUT
INPUT VOLTAGE RATING	115V (95-132V)/60HZ
FAN SPEED	1800 RPM, CLOCKWISE
OPERATING TEMPERATURES:	-40 DEG C TO 55 DEG C (-40 DEG F TO 131 DEG F)
AMP RATING	0.55A MAXIMUM
CORD TYPES	STR PLUG, EYELET, BARE WIRE
AVAILABLE CORD LENGTHS	355.6MM [14 INCH] STANDARD (OTHER LENGTHS AVAILABLE)
MOISTURE & DUST PROTECTION	IP65
WEIGHT:	3 lbs (MOTOR ONLY)
MOUNTING	REAR & FRONT

QM POWER
Q-SYNC MOTOR, QSM50-1A-A2

NOTICE OF CONFIDENTIAL INFORMATION
 Information contained herein is Confidential. Where furnished with a proposal, the recipient shall use it solely for the purposes of inspection, installation, or maintenance. Where furnished to a supplier, it shall be used solely in the performance of the contract. The information shall not be used or disclosed by the recipient for any other purpose.